



# HBP-0130-1 BLOWER PURGE DESICCANT AIR DRYER GENERAL ARRANGEMENT

TOLERANCES UNLESS  
OTHERWISE SPECIFIED:

- FRACTIONS = ± 1/4 "
- ANGLES = ± 3°
- INCHES = ± 1/2 "
- FINISH = 250

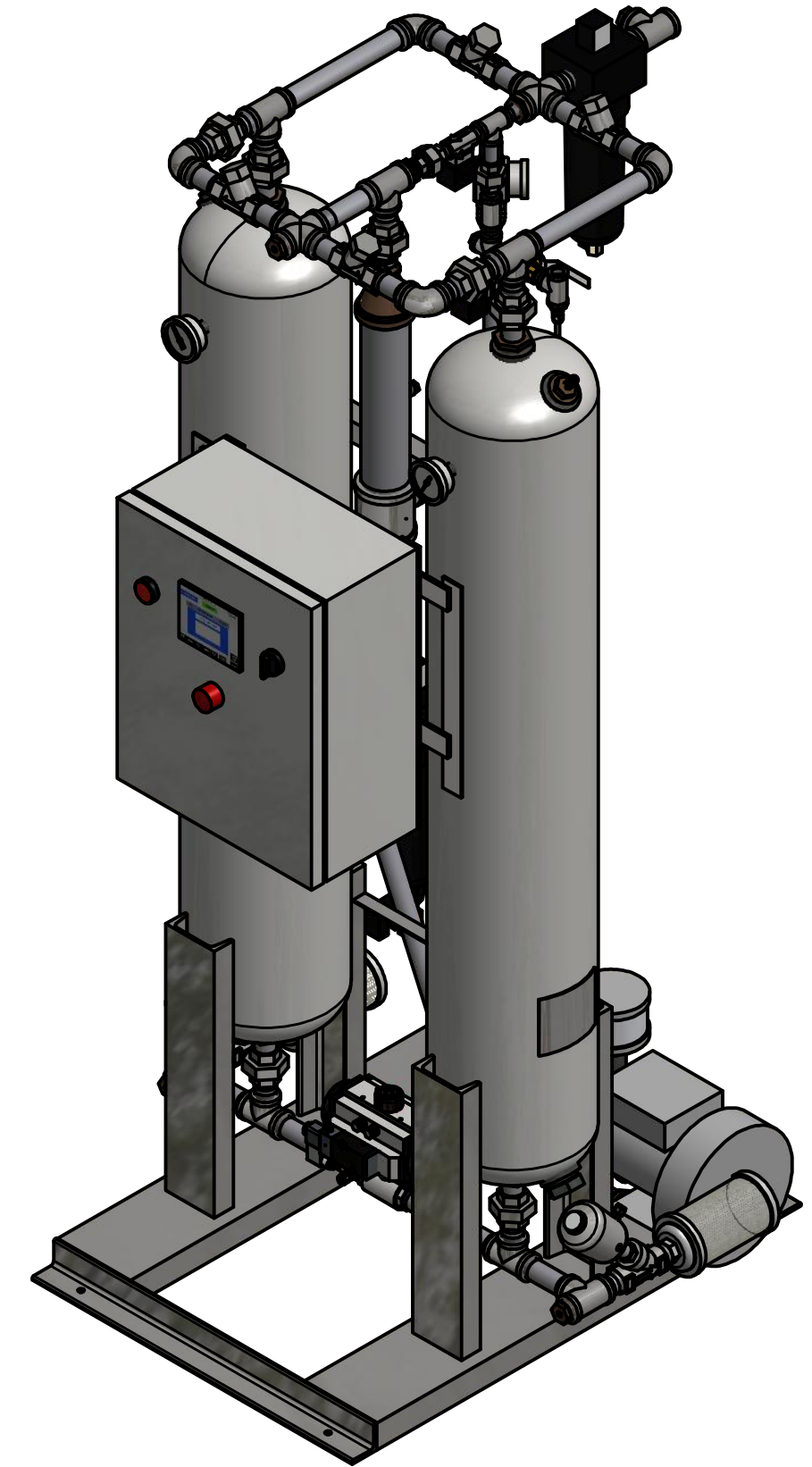
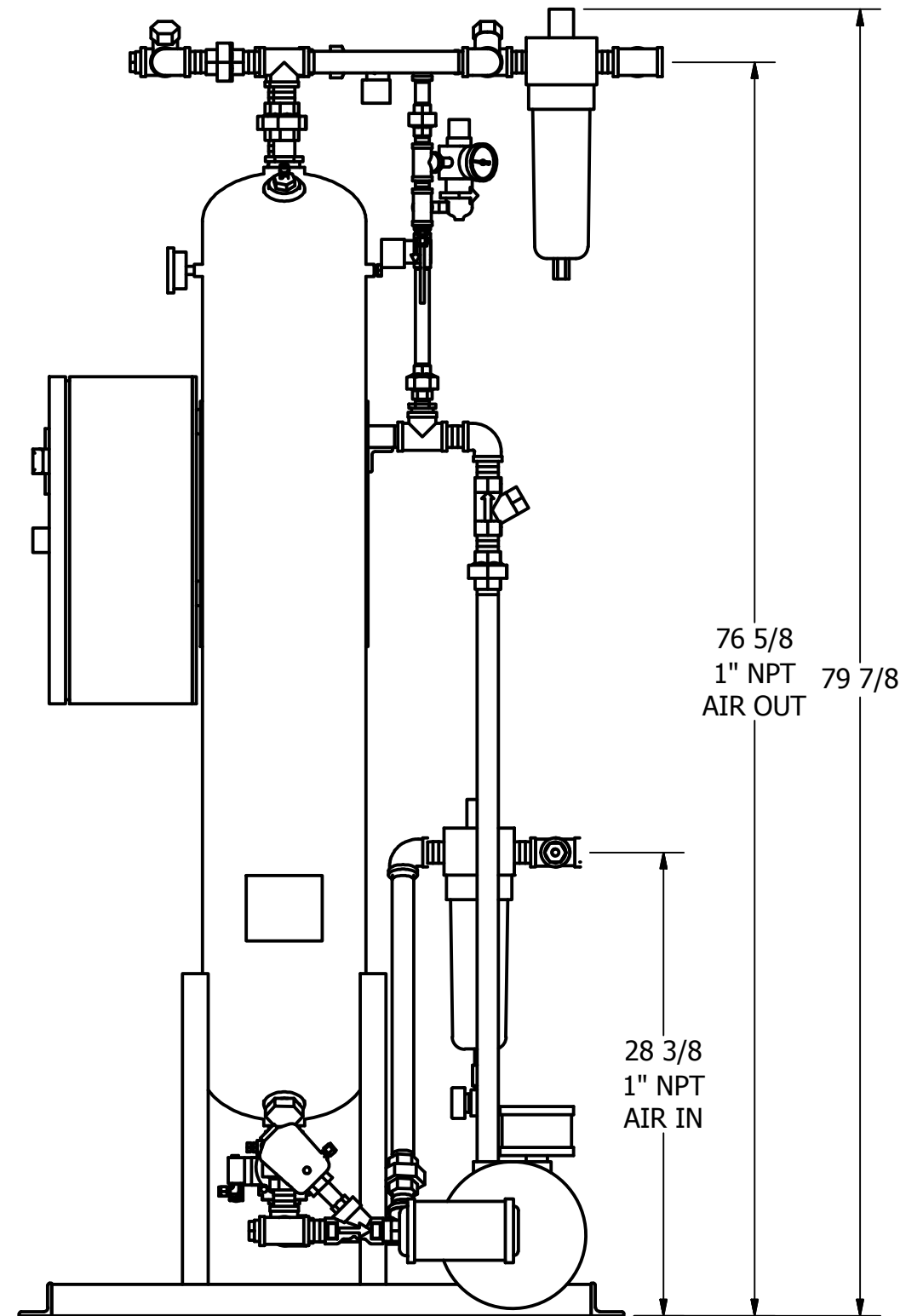
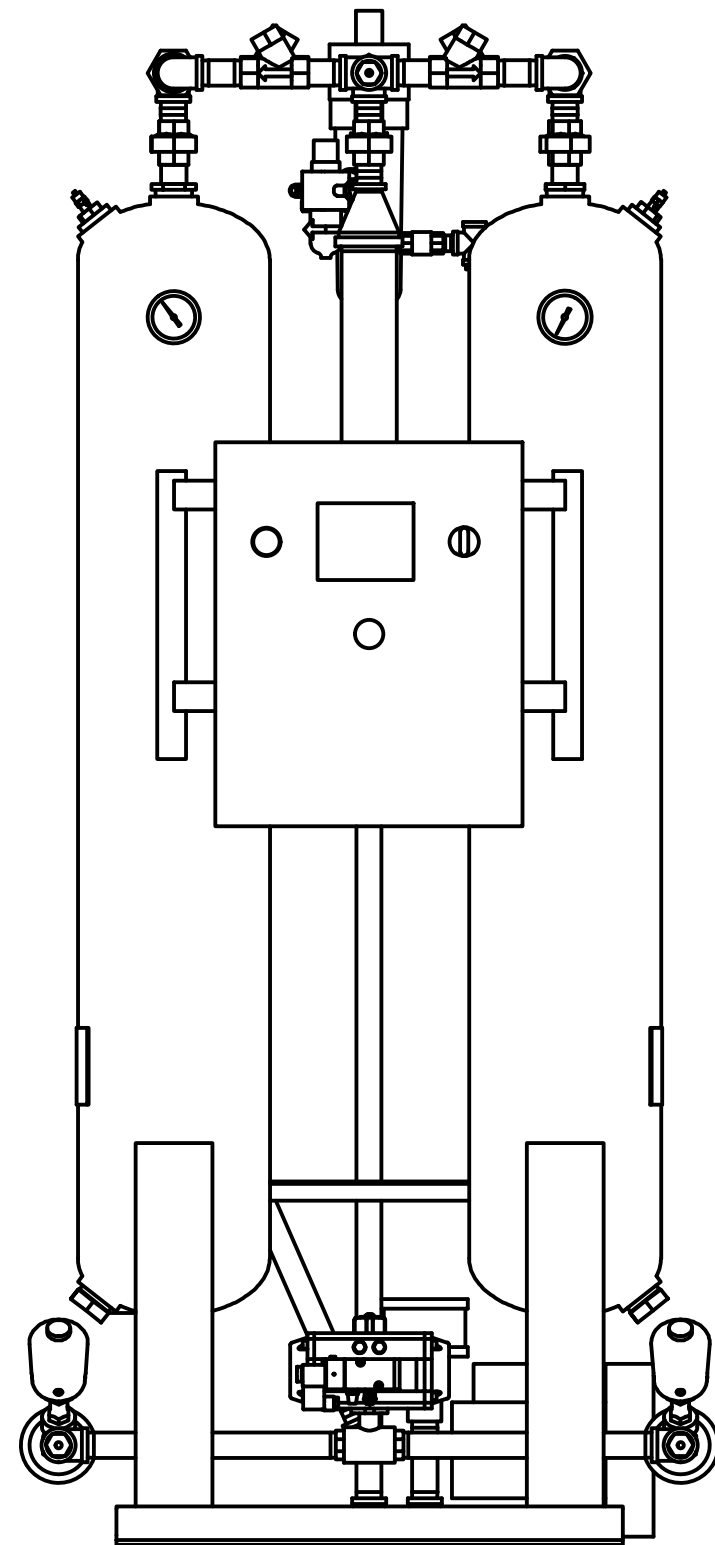
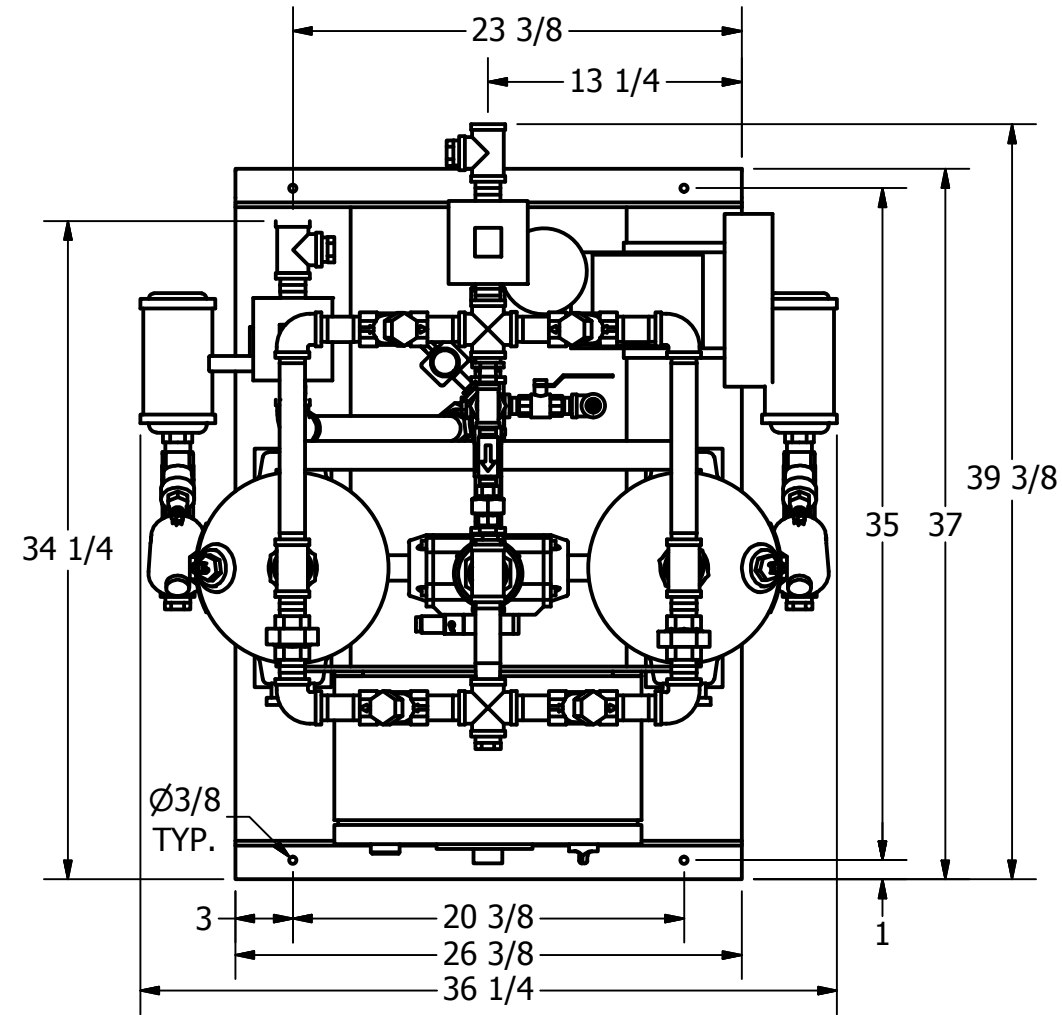
THE SPECIFICATIONS AND DRAWINGS DISCLOSED HEREIN ARE THE SOLE PROPERTY OF ALTEC AIR, AND SHALL NOT BE COPIED OR USED AS THE BASIS FOR SALE OR MANUFACTURE WITHOUT EXPRESS WRITTEN PERMISSION.

### REVISION LOG

REV.	ECO.	DESCRIPTION	DATE	APPROVED
B	1191	PRODUCTION UPDATES	10/20/2021	WS

DRAWING NO. **AT20-652** REV. **B**

DRAWN: WA DATE: 2/13/2017  
 CHECKED: DATE: SCALE: N/A SHEET: 1 OF 2



**PRELIMINARY**



# HBP-0130-1 BLOWER PURGE DESICCANT AIR DRYER GENERAL ARRANGEMENT

TOLERANCES UNLESS OTHERWISE SPECIFIED:

- FRACTIONS = ± 1/4 "
- ANGLES = ± 3°
- INCHES = ± 1/2 "
- FINISH = 250

THE SPECIFICATIONS AND DRAWINGS DISCLOSED HEREIN ARE THE SOLE PROPERTY OF ALTEC AIR, AND SHALL NOT BE COPIED OR USED AS THE BASIS FOR SALE OR MANUFACTURE WITHOUT EXPRESS WRITTEN PERMISSION.

### REVISION LOG

REV.	ECO.	DESCRIPTION	DATE	APPROVED
B	1191	PRODUCTION UPDATES	10/20/2021	WS

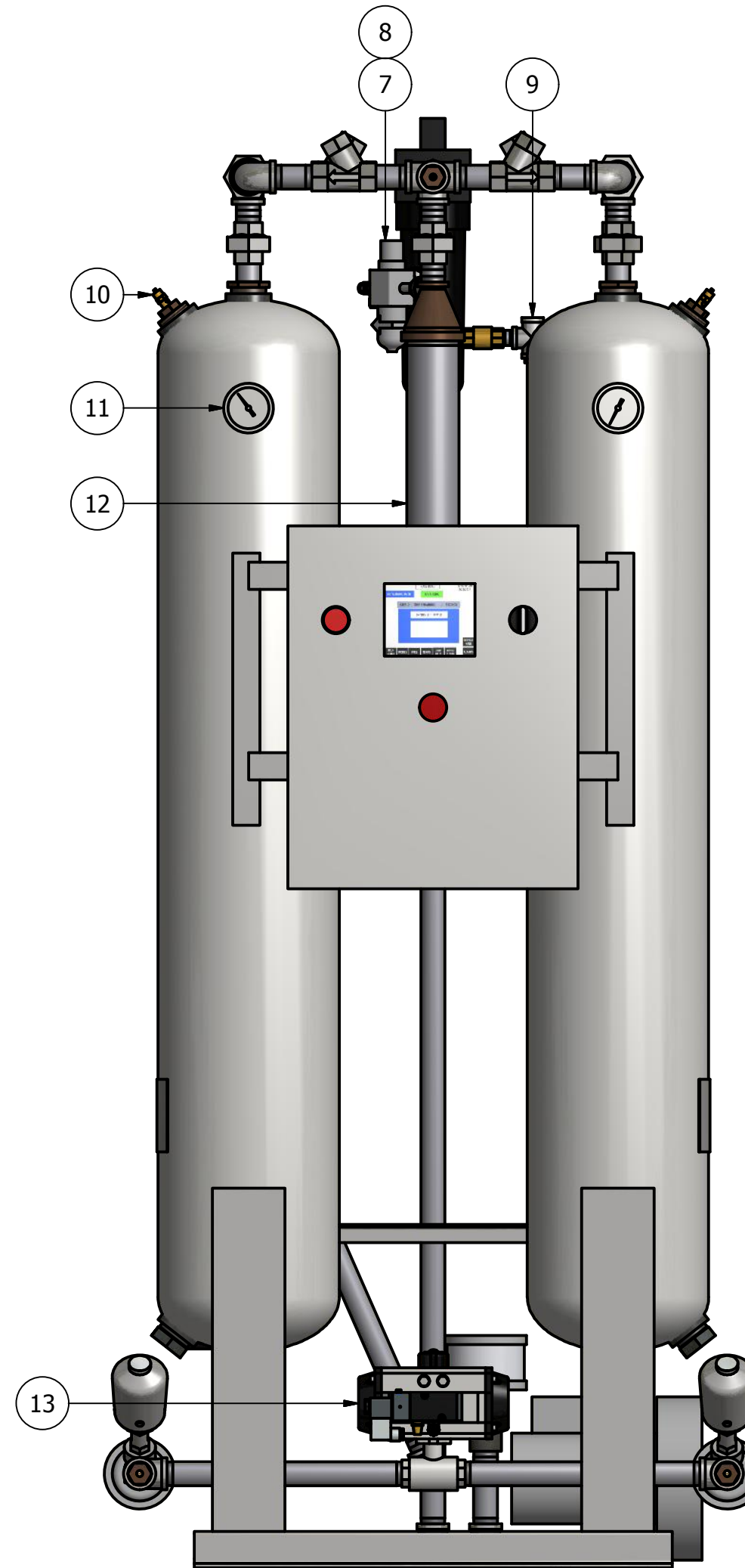
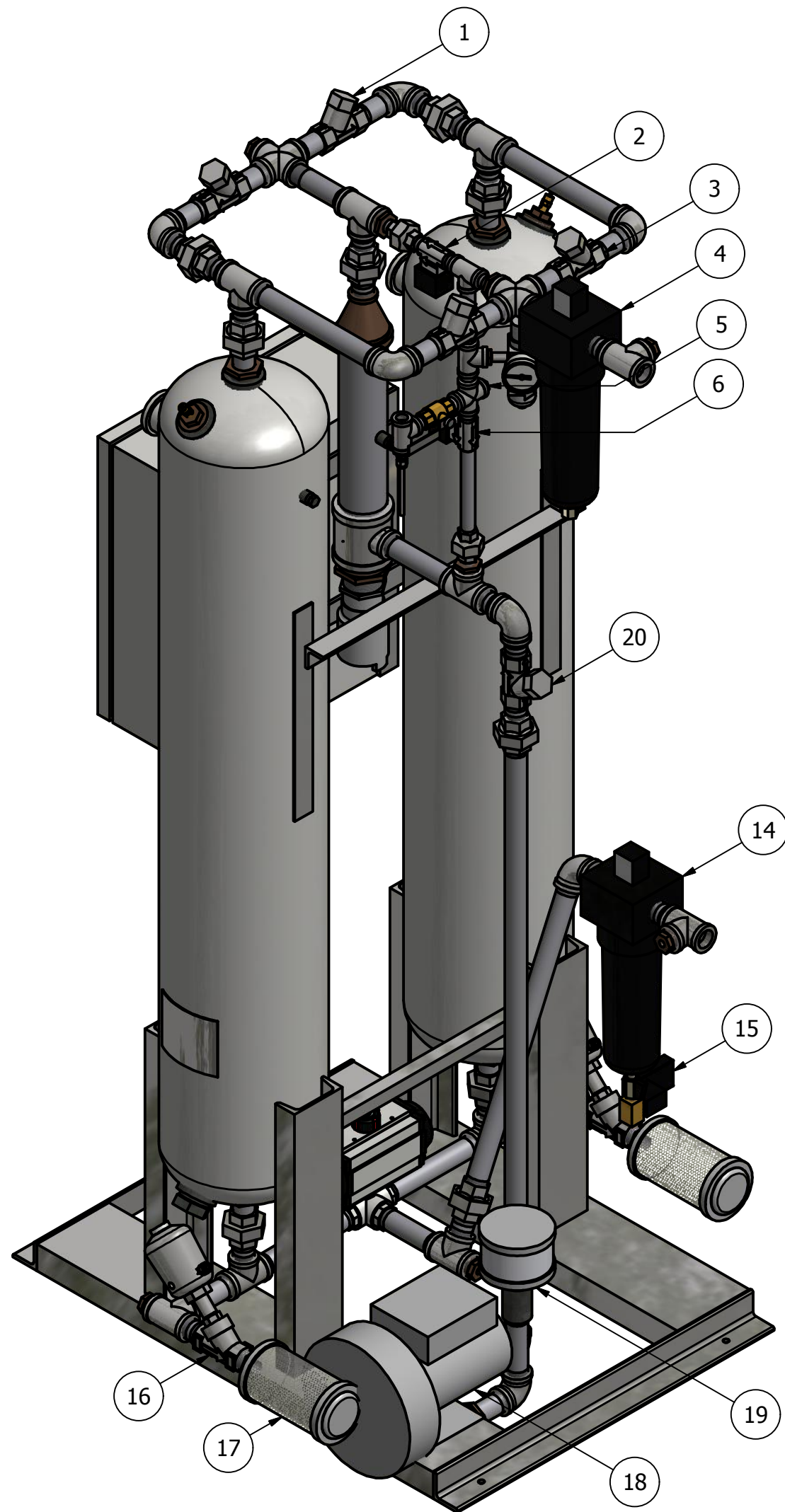
DRAWING NO. **AT20-652** REV. **B**

DRAWN: WA DATE: 2/13/2017  
CHECKED: DATE:

SCALE: N/A SHEET: 2 OF 2

### PARTS LIST

ITEM	QTY	DESCRIPTION
1	2	CHECK VALVE, PURGE
2	1	SOLENOID, REPRESS
3	2	CHECK VALVE, OUTLET
4	1	PARTICULATE AFTER-FILTER
5	1	MOISTURE INDICATOR
6	1	SOLENOID, 2%
7	1	PRESSURE REGULATOR, CONTROL
8	1	PRESSURE GAUGE, CONTROL
9	1	DEW POINT MONITOR (OPTIONAL)
10	2	RELIEF VALVE, TANK
11	2	PRESSURE GAUGE, TANK
12	1	2.2 KW HEATER
13	1	3-WAY BALL VALVE, INLET
14	1	COALESCER PRE-FILTER
15	1	TIMED DRAIN
16	2	ANGLE BODY VALVE, EXHAUST
17	2	MUFFLER, EXHAUST
18	1	1/2 HP BLOWER
19	1	FILTER, BLOWER
20	1	CHECK VALVE, BLOWER
21	220 LBS	DESICCANT



**PRELIMINARY**